

ORTAL

STAND ALONE FIREPLACES:

SPECIFICATIONS & PRODUCT GUIDE

ORTAL

eblica

1. NOTES

The appliance must be installed in accordance with the ORTAL AU/NZ Installation Manual.

The appliance must be properly connected to an approved chimney venting system. Refer to the specific appliance installation guide to determine vent size and pathway requirements. In addition, adhere to the following pre-installation guidelines:

- Use an approved DuraVent flue system as specified
- Consult the relevant authority to determine the need for a permit prior to starting the installation.
- It is the responsibility of the installer to ensure that this fireplace is installed in compliance with the manufacturer's instructions and all the applicable building codes. Contact your local distributor / dealer for correct flue and flue termination information.
- Always used a licensed gas fitter / plumber to install the appliance

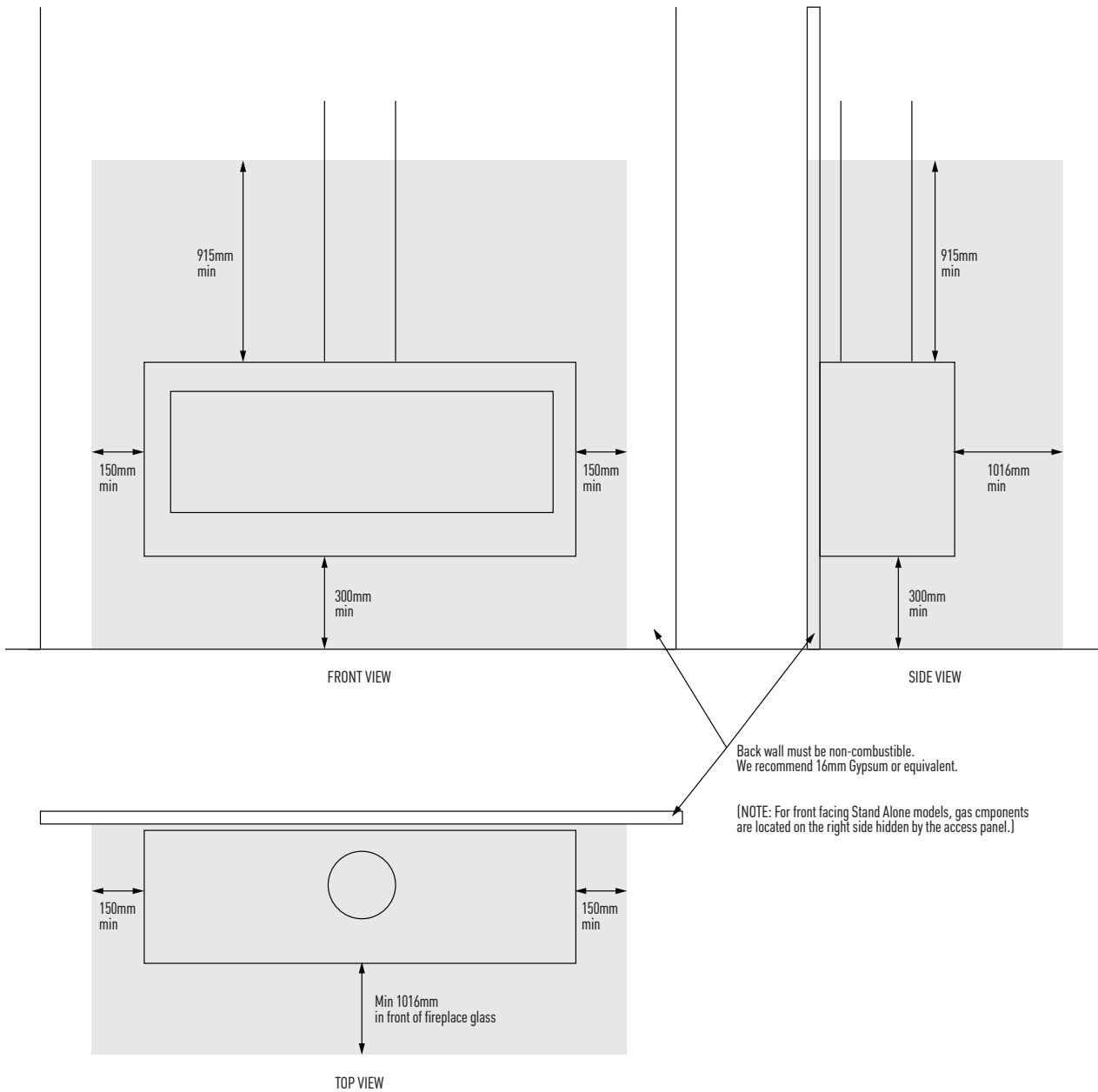
IMPORTANT:

THIS IS NOT AN INSTALLATION MANUAL. PLEASE REFER TO THE DETAILED INSTALLATION MANUAL DELIVERED WITH THE APPLIANCE.

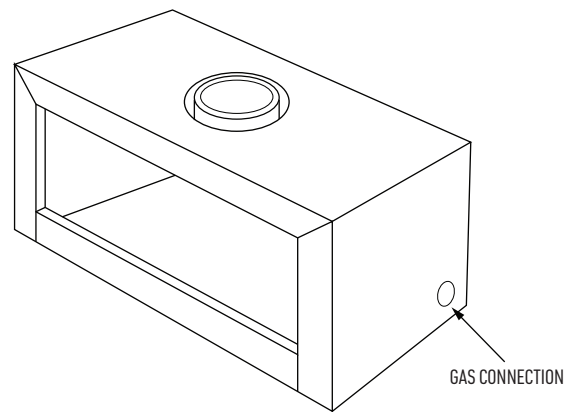
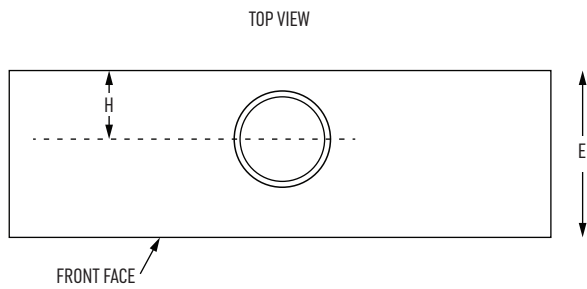
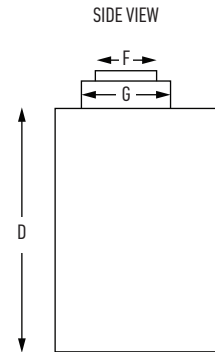
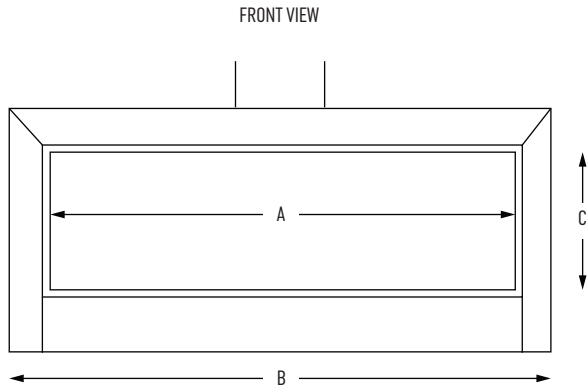
2. SPECIFICATIONS

MODEL	BURNER TYPE	INJECTORS	NOMINAL GAS CONSUMPTION	INLET PRESSURE	MANIFOLD PRESSURE	TURNDOWN PRESSURE	FLUE SIZE
75	B45	Marked 650: with 7x0.950mm orifice	26MJ/h	1.13kPA	0.82kPA	0.23kPA	107/164mm
110	B100	Marked 1200: with 7x1.275mm orifice	37MJ/h	0.69kPA	0.73kPA	0.26kPA	125/205mm
150	B135	Marked 1200: with 7x1.275mm orifice Marked 1400: with single 3.9mm orifice	55MJ/h	1.13kPA	0.61kPA	0.22kPA	125/205mm

3. CLEARANCE TO COMBUSTIBLE SURFACES

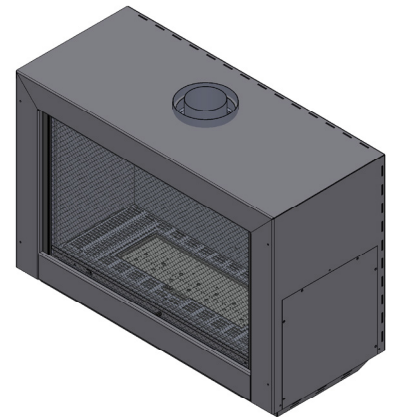
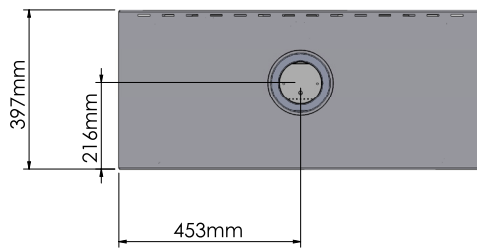
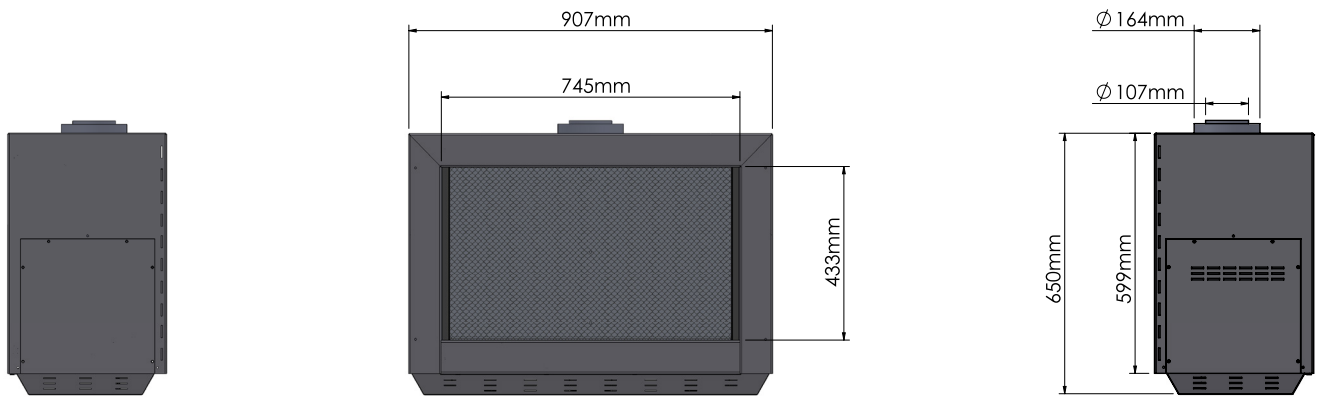


4. SPECIFICATIONS

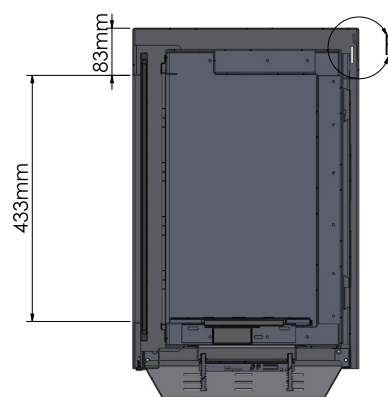
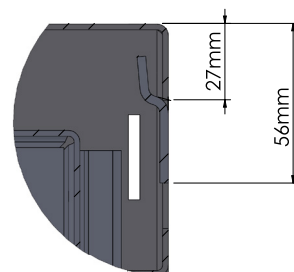
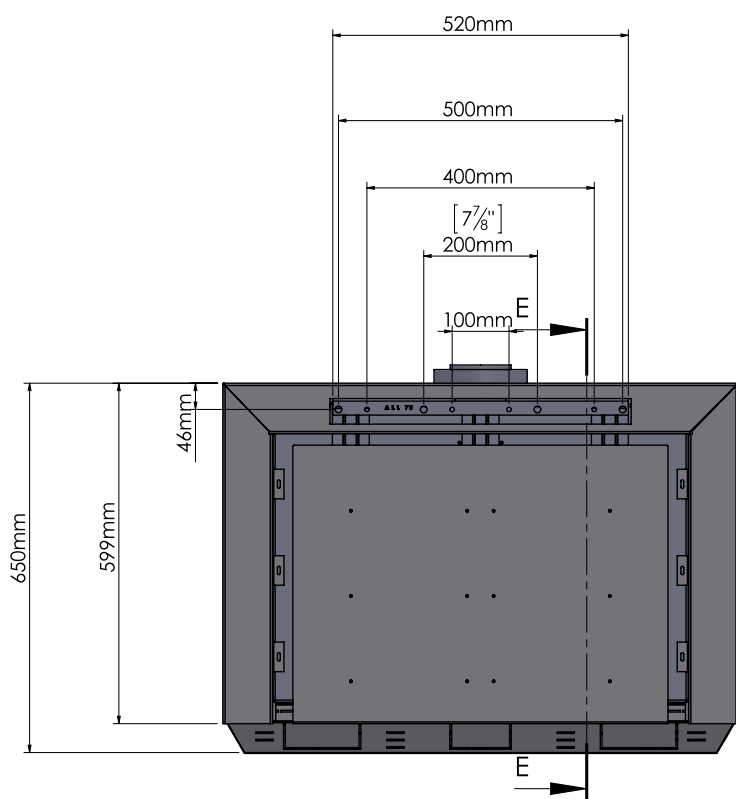


MODEL	DIMENSIONS							
	A	B	C	D	E	F	G	H
75	745	907	433	650	397	164	107	216
110	1106	1319	344	644	425	200	132	244
150	1502	1694	345	566	397	200	132	181

75 STAND ALONE SCREEN

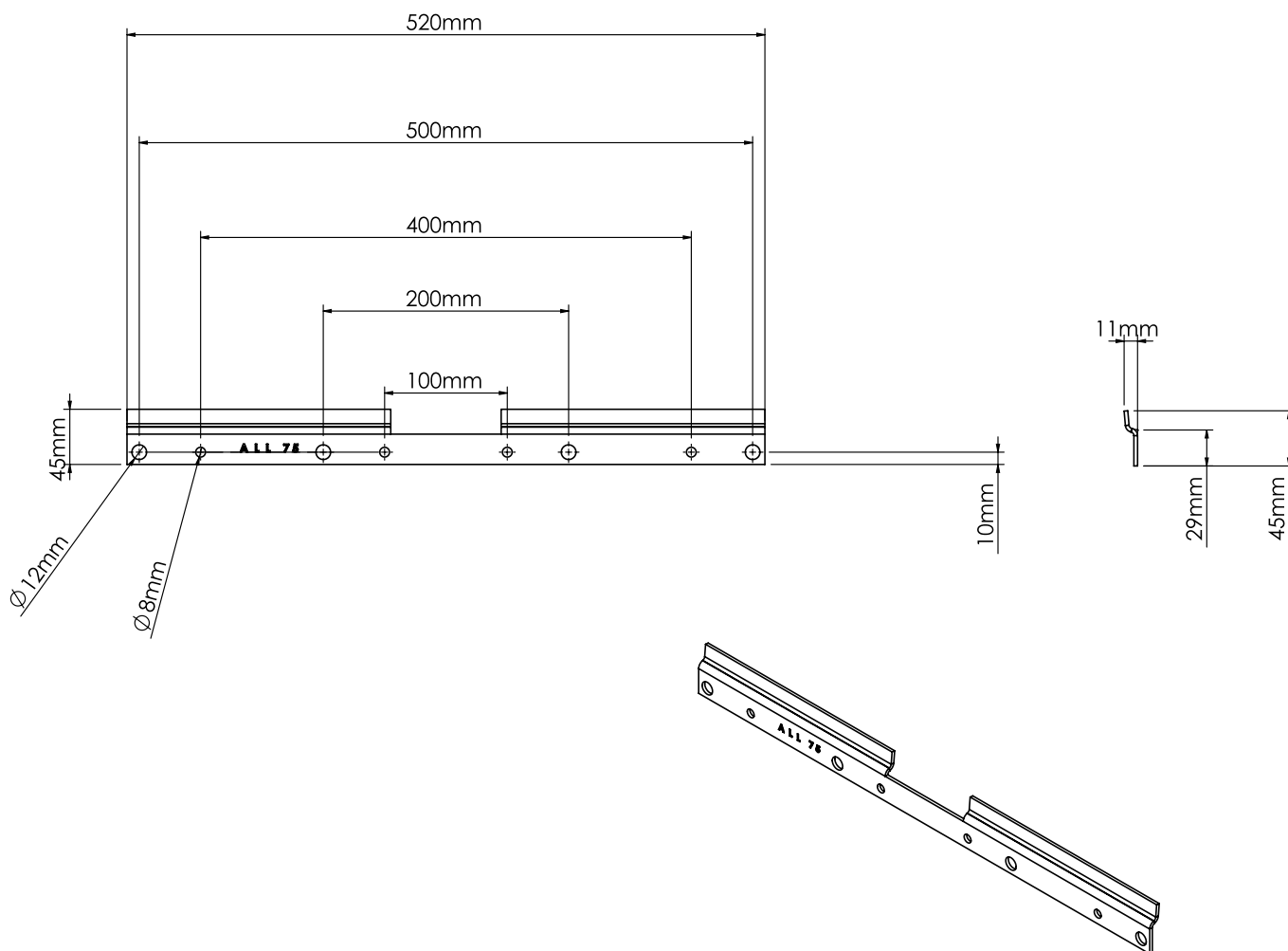


75 STAND ALONE SCREEN

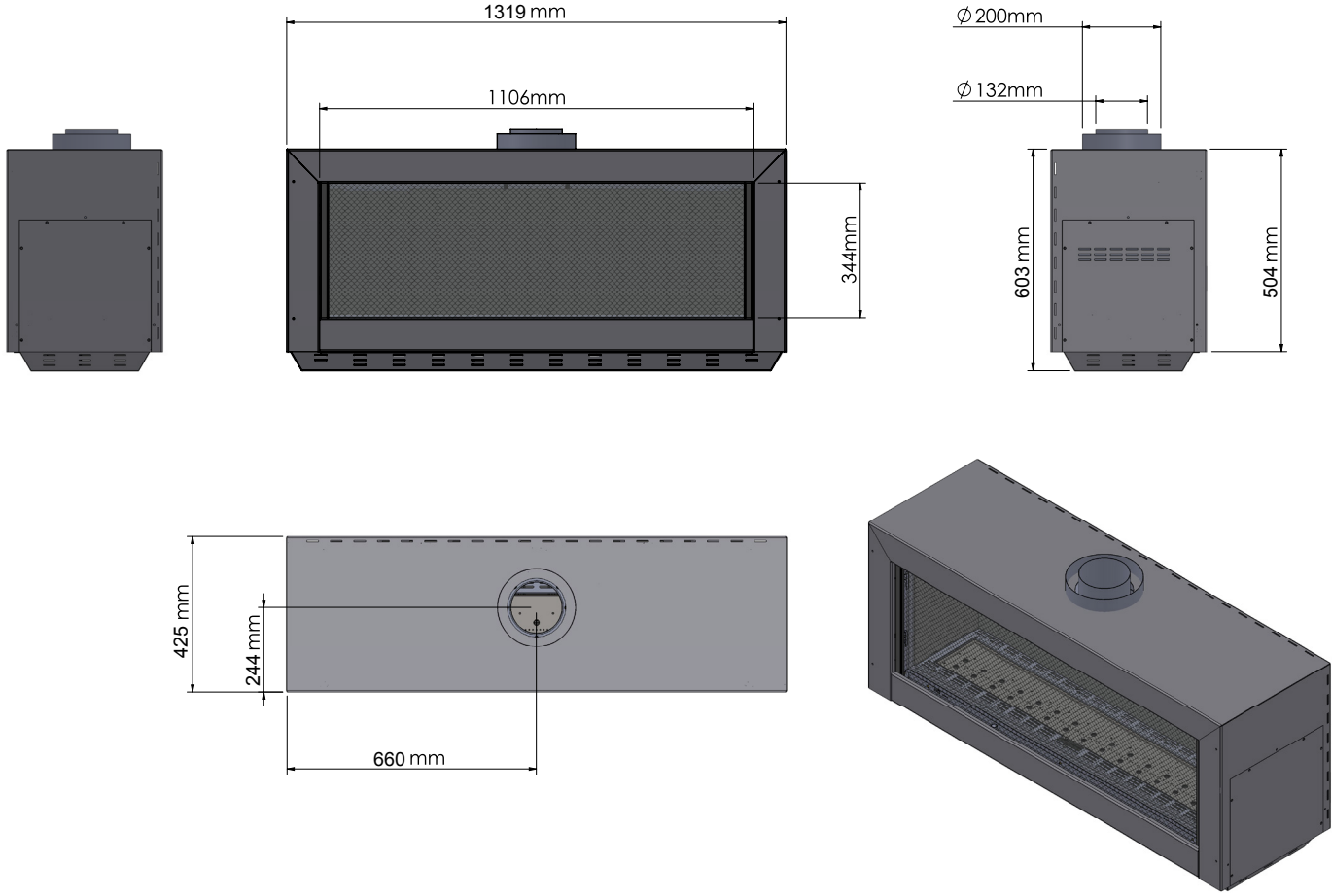


SECTION E-E
SCALE 1 : 10

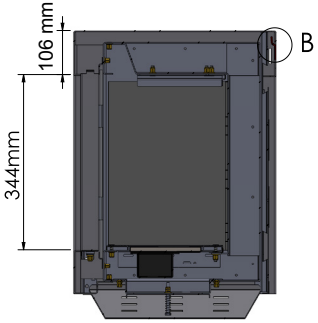
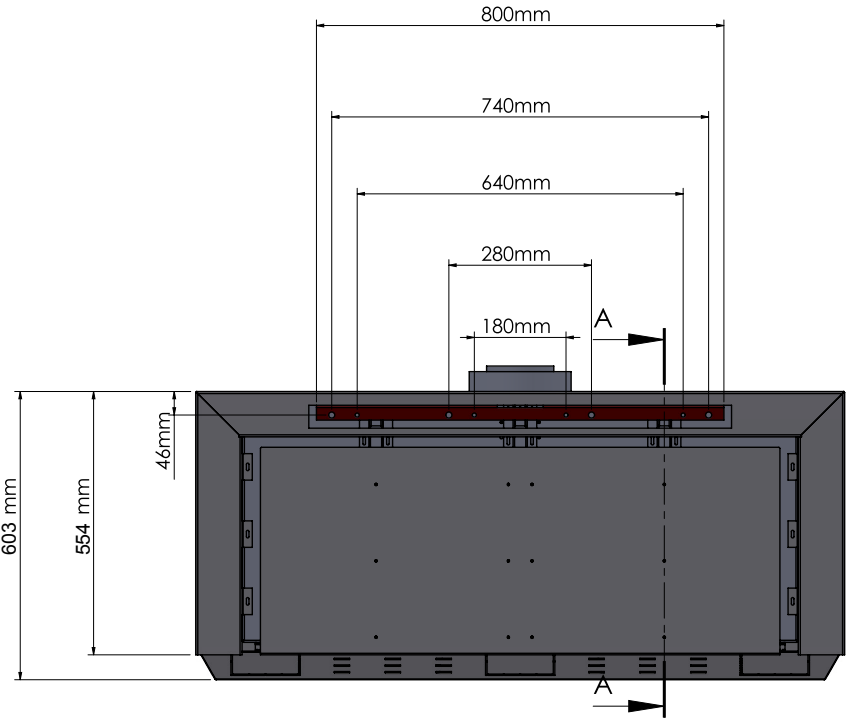
75 STAND ALONE SCREEN



110 STAND ALONE

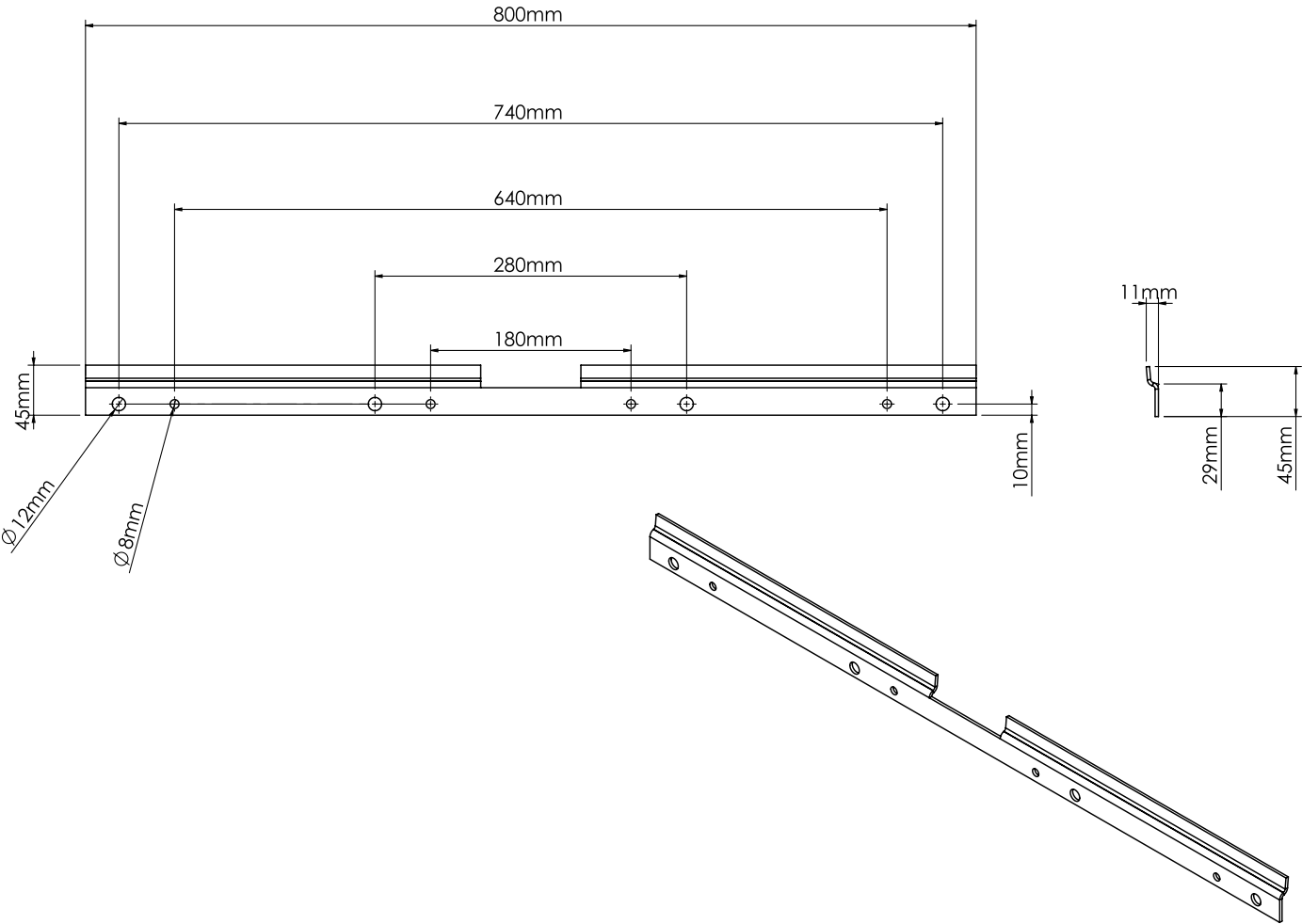


110 STAND ALONE

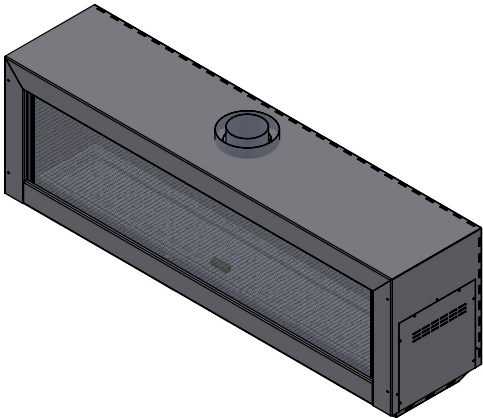
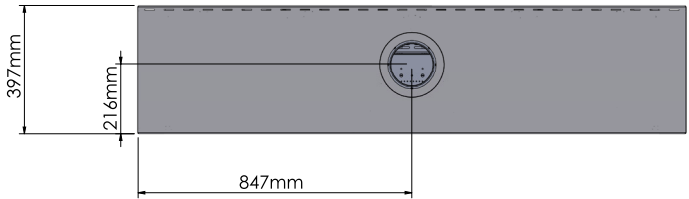
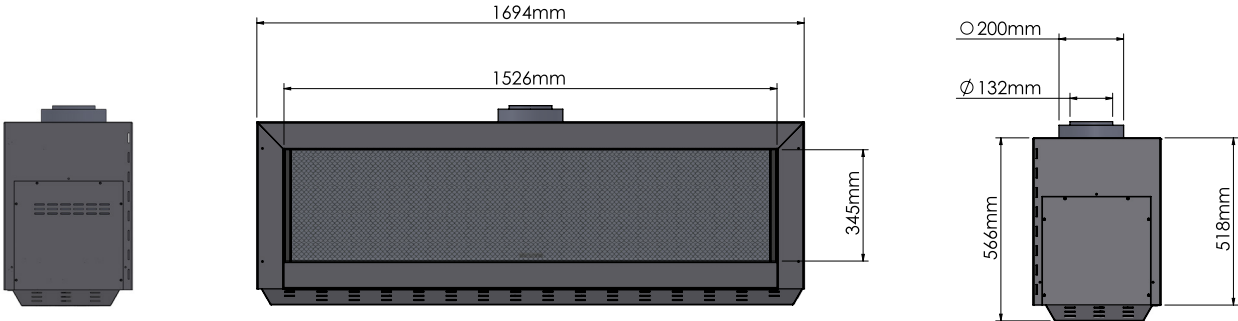


SECTION A-A
SCALE 1 : 11

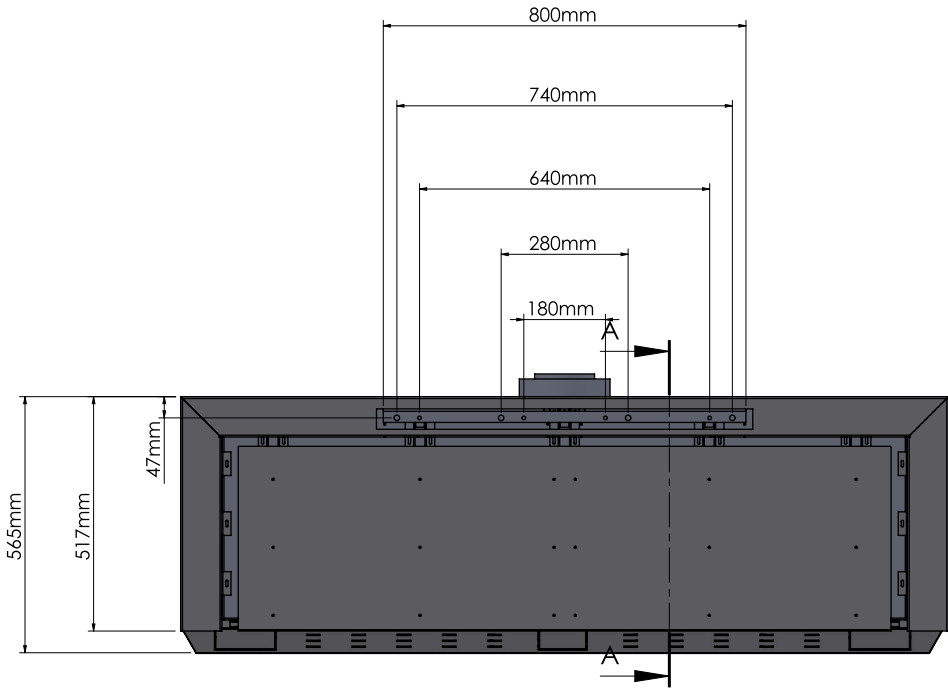
110 STAND ALONE



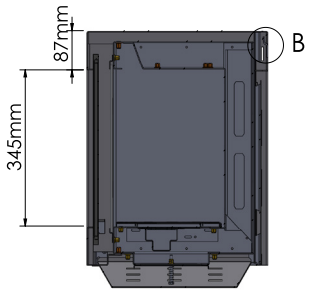
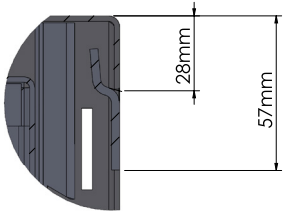
150 STAND ALONE SCREEN



150 STAND ALONE SCREEN

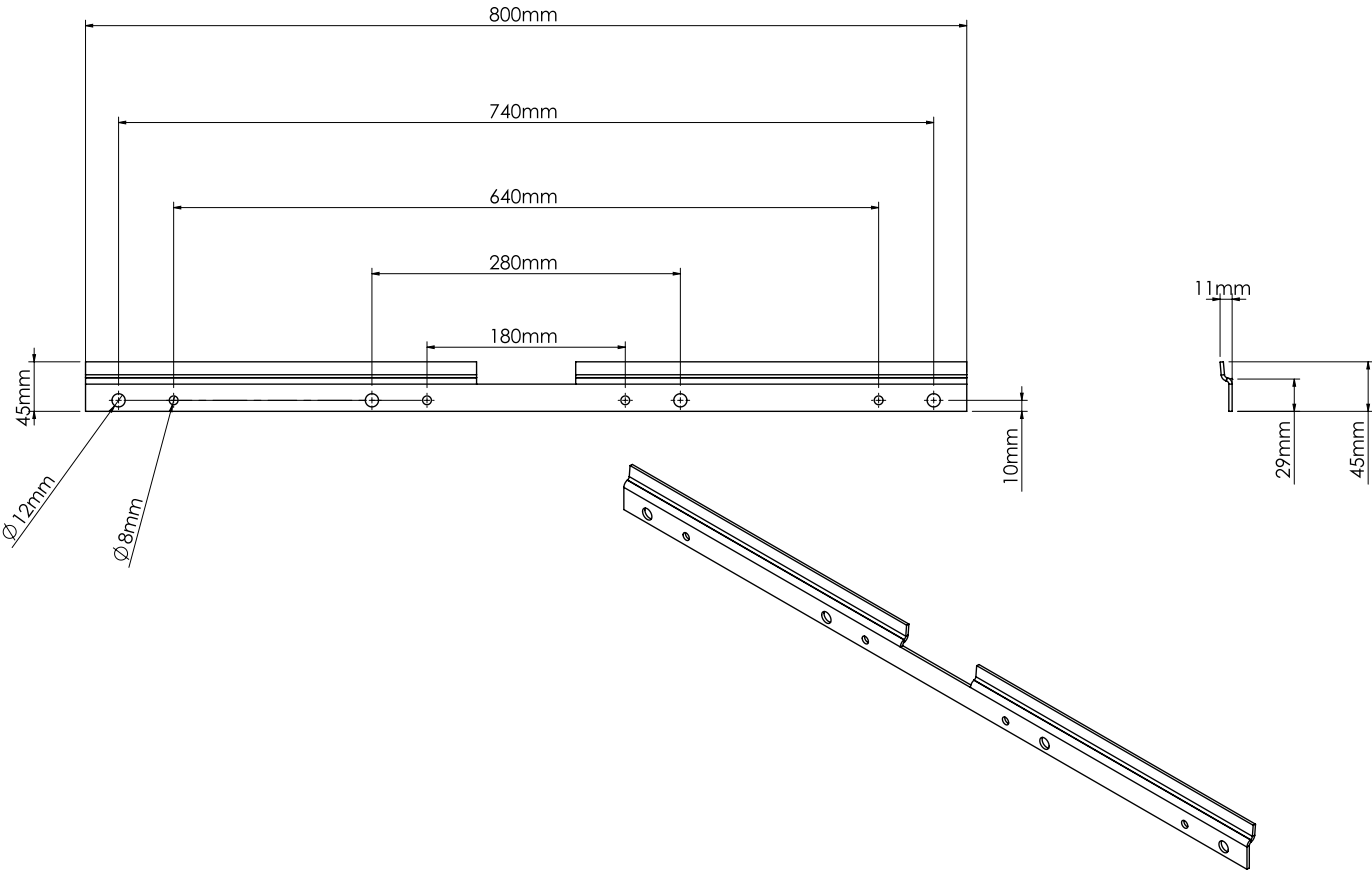


DETAIL B
SCALE 1 : 2



SECTION A-A
SCALE 1 : 12

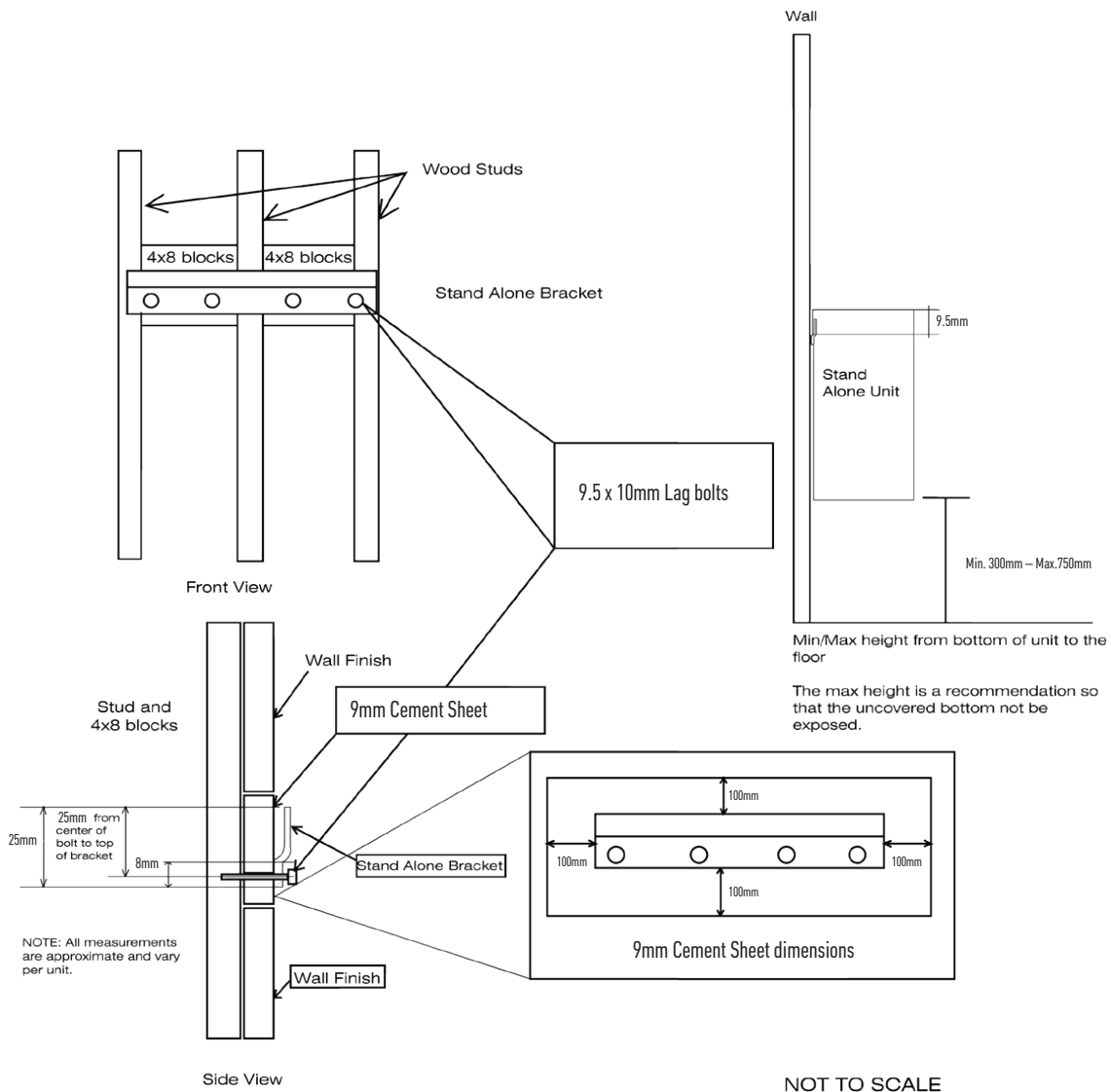
150 STAND ALONE SCREEN



5. INSTALLATION - TIMBER

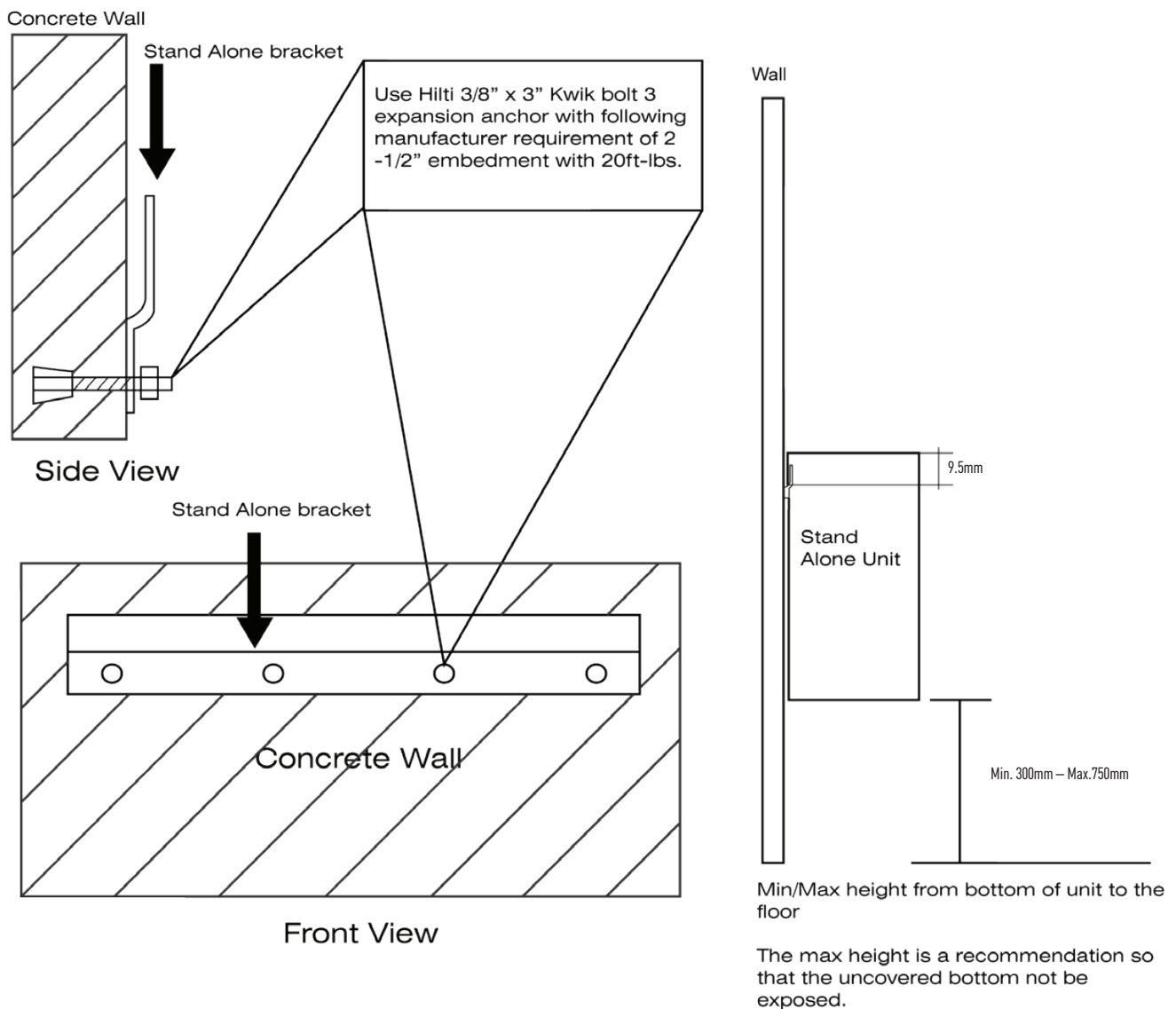
1. Position the unit at the desired height and mark the wall. Unit should have a minimum 300mm and maximum 750mm distance from the bottom of the unit to the floor.
2. Create an opening in the wall big enough to position the 4x8 blocks between the wood studs at the desired height.
3. Repair the opening with 9mm cement sheet board or it's equivalent.
4. Make sure that the bracket has a minimum 100mm extra cement sheet material around it.
5. Mount bracket with 9.5 x 10mm lag bolts. Follow bracket manufacturer's installation requirements and then mount the unit.

Wood Stud Mounting Detail Sketch 2



6. INSTALLATION - CONCRETE

Concrete Wall Mounting Detail Sketch 1



NOT TO SCALE

7. TESTING

THE ORTAL DECORATIVE ROOM SEALED GAS APPLIANCES HAVE BEEN TESTED AND APPROVED BY AGA & IAPMO-R&T FOR USE WITH NATURAL GAS (NG).

Australian Standard AS5263-0:2016 - Decorative Gas Log and Other Fuel Effect Appliances

Patent Pending for screen barrier glass bracket: USSN 60/040,074